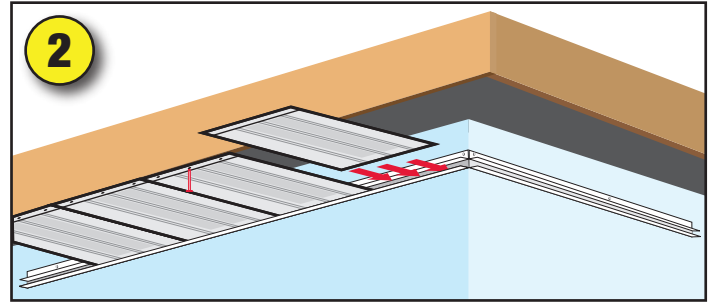


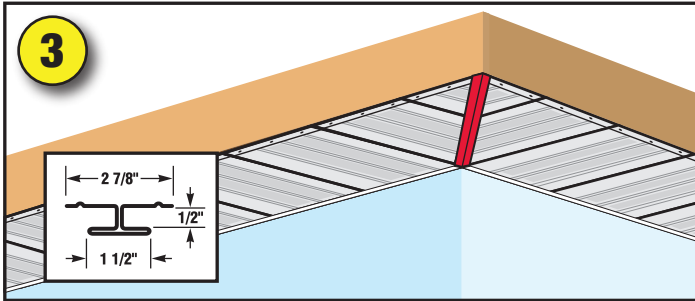
1. FRIEZE RUNNER - Top edge of runner channel must be level and aligned with the bottom surface of the fascia board. Using nailing flange of channel, nail and install along the entire length of the wall surface.

* If installing soffit panels over existing wood soffits, soffit 'J' channel can be used in place of frieze runner and double channel.

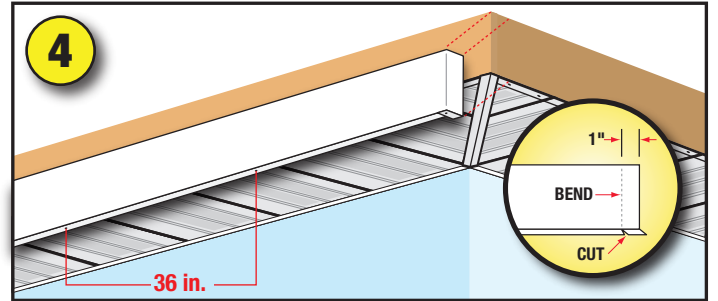


2. SOFFIT PANELS - Slide into frieze runner channel. Secure to under edge of fascia board using nails in panel grooves.

Continue panel installation for entire length of the wall.



3. DOUBLE-CHANNEL - To join panels at corners, cut double channel to fit and match angle when positioned diagonally from frieze channel to corner of fascia board.



4. FASCIA - Begin at the corner, position to the underside of soffit panels, **pre-drill** (align with soffit grooves) and nail through bottom lip of fascia trim every **36 inches** along bottom edge of fascia board

Never 'face nail' fascia. **Do not drive nails tight** - fascia must be 'hung' to allow expansion and help prevent distortion. Allow at least 1 inch overlap of fascia where lengths meet.



CAUTION! - Soffit & Fascia products have sharp edges! Handle with care. Always use protective eyewear, gloves and appropriate clothing.

ALWAYS USE PROFESSIONAL FALL PROTECTION when working over 6 feet above grade - See Appleton Building Products for a **Rooftop Safety Kit**

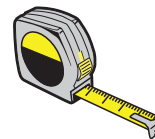


Refer to local building and safety codes before starting work. Obtain professional advice for any applications not covered in these guidelines.

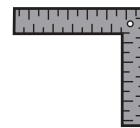
TOOLS



LEVEL



TAPE MEASURE



SQUARE



CHALK LINE



HAMMER



SNIPS



DRILL

TRIM NAILS



Use **aluminum** or **stainless steel** trim nails. Ordinary galvanized steel nails will cause premature corrosion.

Use Appleton **color matched** nails for a professional job.